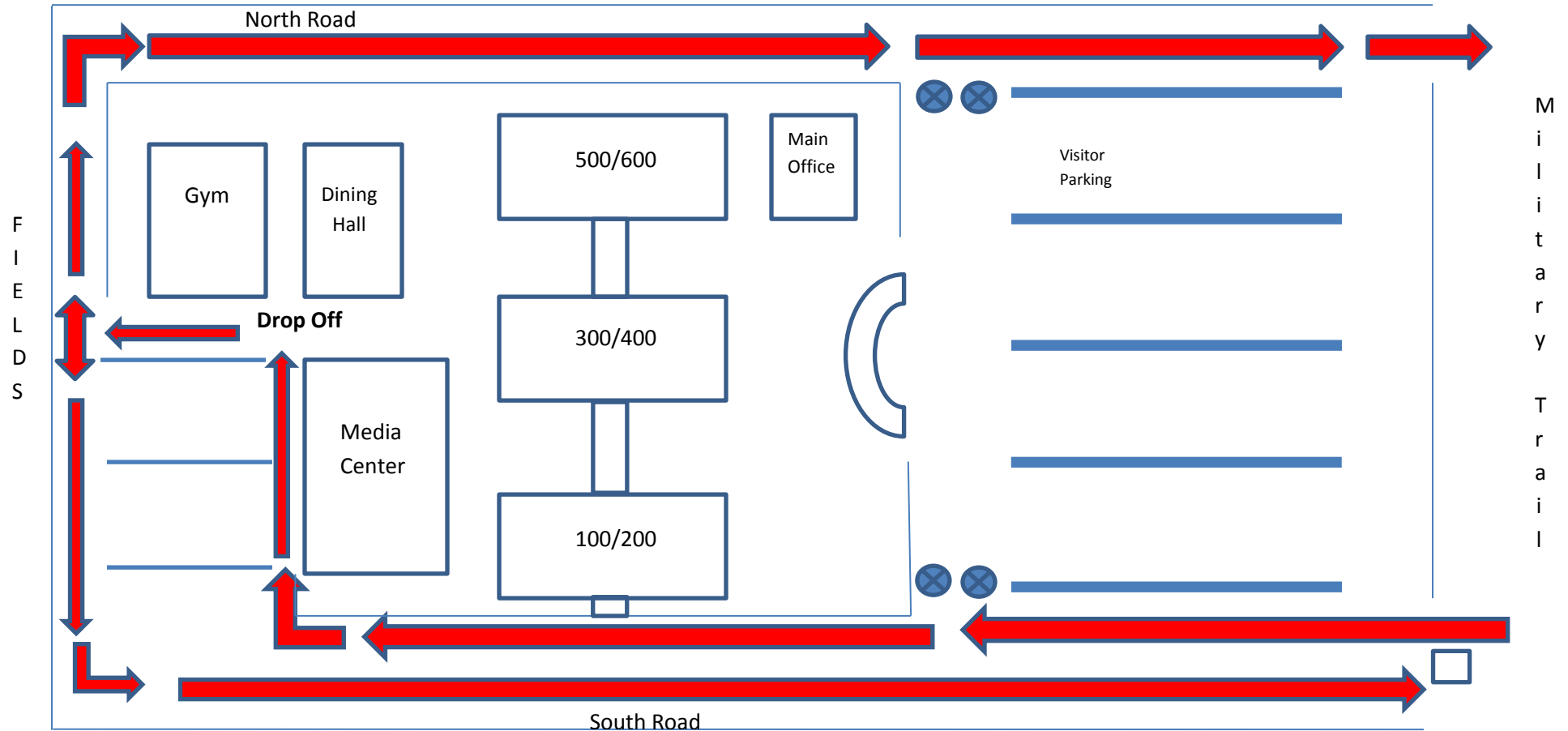


## Saint John Paul II Academy Drop-Off and Pick-Up Procedures



ALL drop-off traffic should follow the South Road and turn right into the parking area behind the media center and continue to the drop-off point near the gym (see map). Students should be dropped off ONLY in this area. To exit, parents should continue past the gym and may exit to the right (North Gate) or left (back to the Main Gate). The South Road will continue to be two-way traffic – **PLEASE DO NOT PASS OTHER CARS!!!** Thank you for your patience and cooperation!

**Only Students and Faculty members with Parking Permits should enter the front parking lot.**

**No student should be dropped off in the middle parking aisles.**

(Visitors parking in the Visitor Spaces will not be able to exit until after the first period bell.)